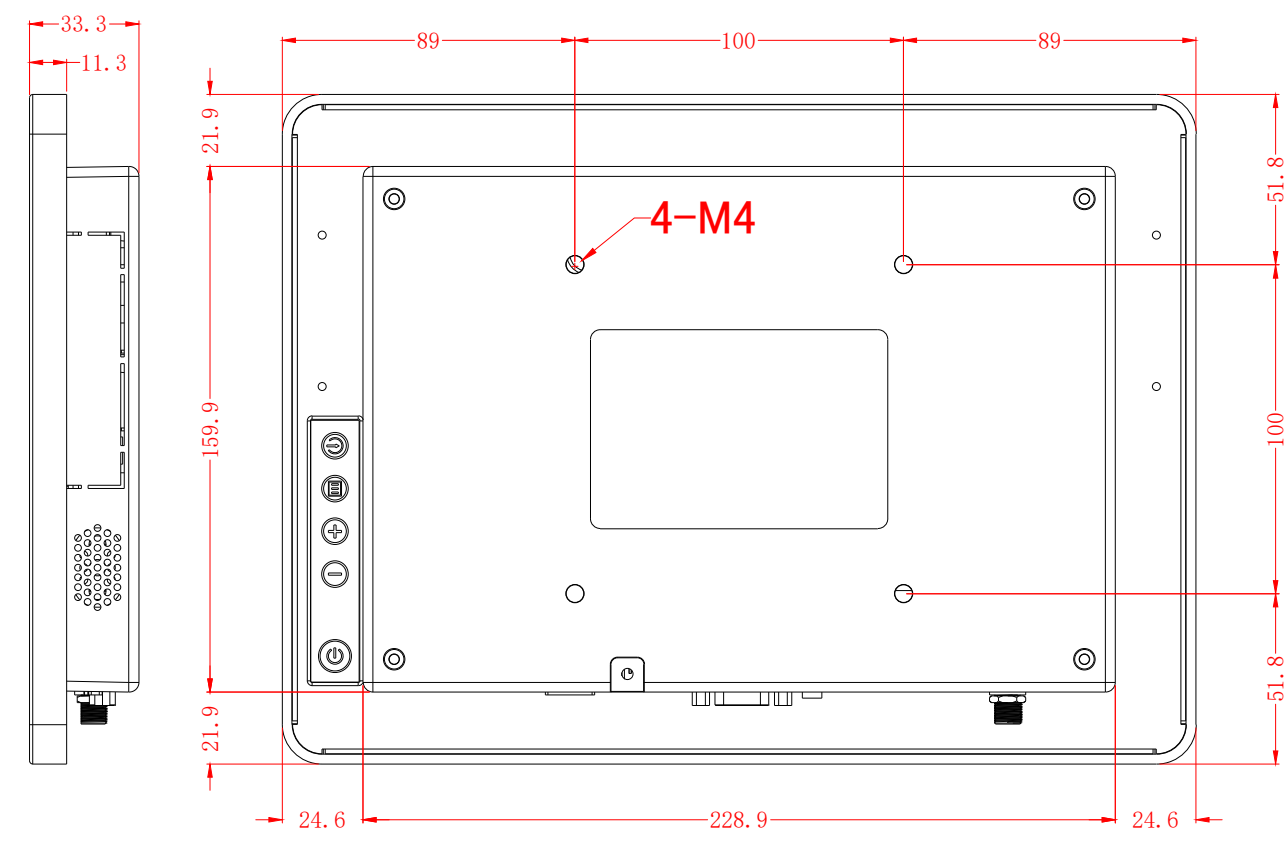
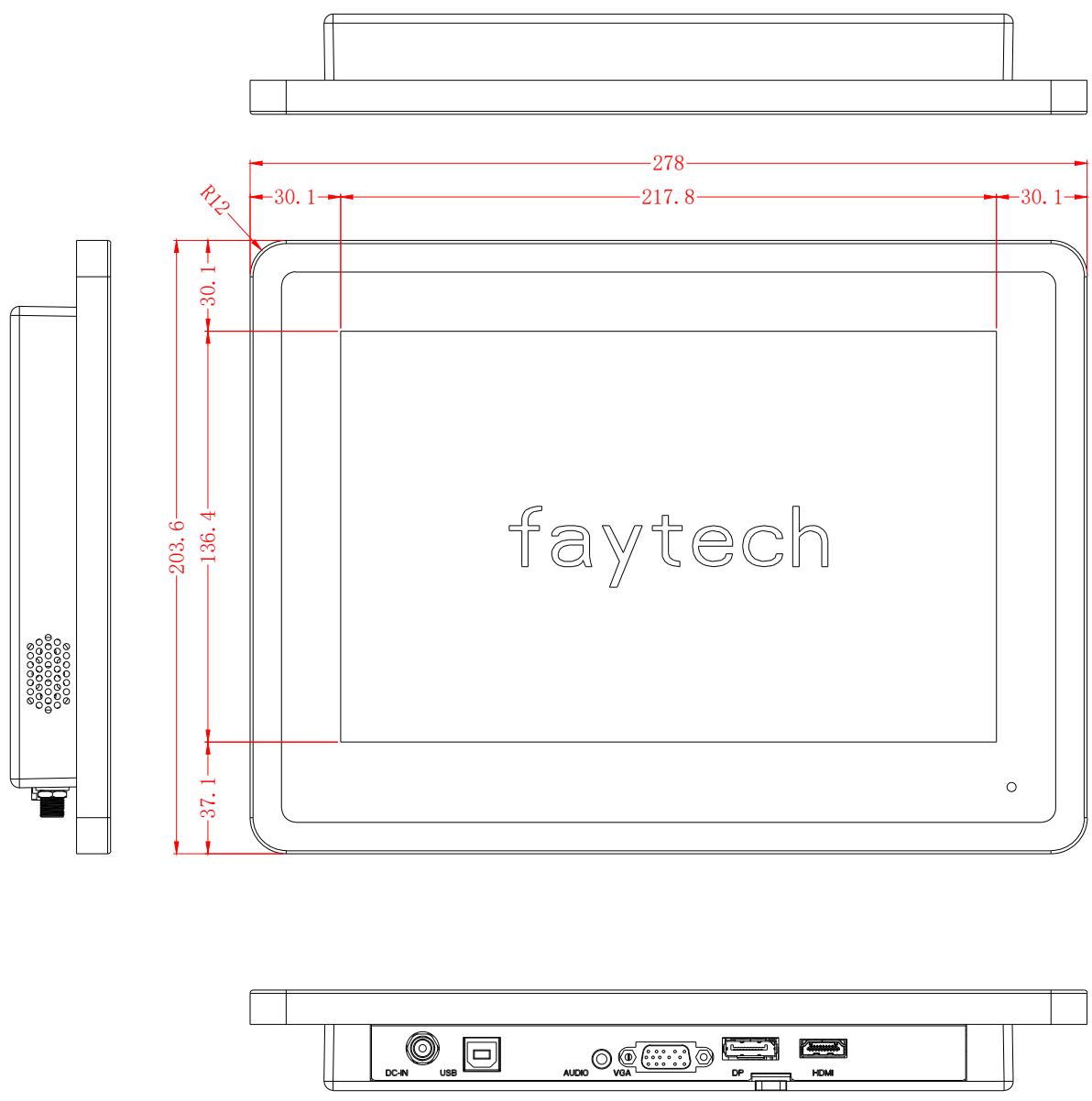

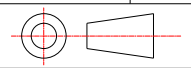


No.	Rev.	Revision Record	Date
△			



Tolerance: $\pm 1\text{MM}$

General Tolerance	ISO 2768-1c	 深圳市飞帆泰科技有限公司 SHENZHEN FEIFANTAI TECHNOLOGY CO., LTD			
UNIT	mm	Description		10.1inch-2556T	
Scale	1:1	Designed	Noah	Date	2021-10-22
REV.	A0	Checked		Date	
		Approved		Date	