

VESA 75/100 Metal Stand



- Innovative and flexible 3-part design
- Can hold monitors/PCs of up to 10kg
- Combined VESA 75/100 holes
- Highly stable and reliable metal stand

The Combined VESA 75/100-holdings swing can swing about 100° due to the three-parts design and numerous fixing holes. The stand can be fixed with or without base plate on the table or even the wall. Combining our Touch PC with Touch Monitor creates the ideal solution for interactive advertisement display system at a point of sales (POS) area.

The fixation holes on the back are compatible with 7 to 10" Touch Monitors while the front is compatible with all touch devices of up to 21.5".

The stand can be ordered individually or as an attractively priced bundle with faytech's Touch Monitor or PC Series.



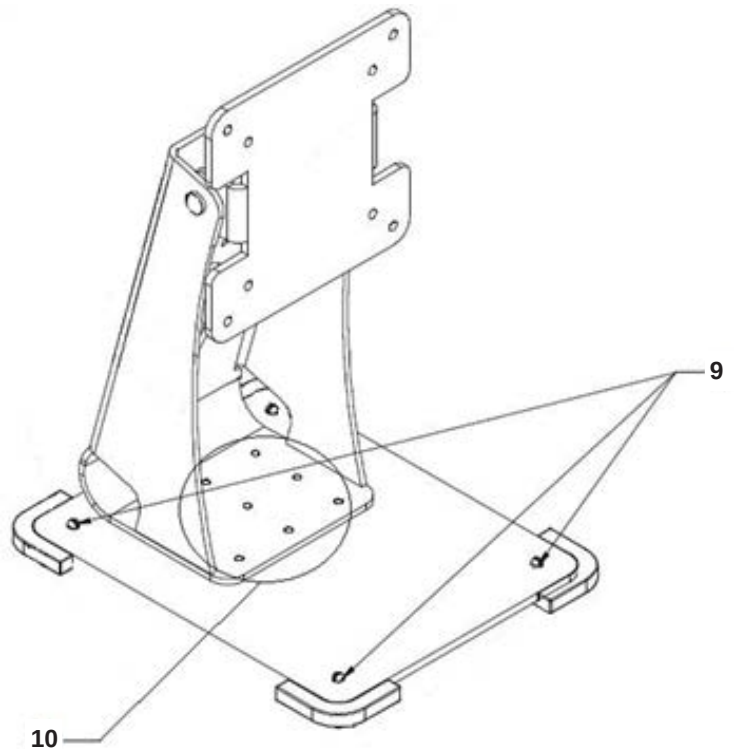
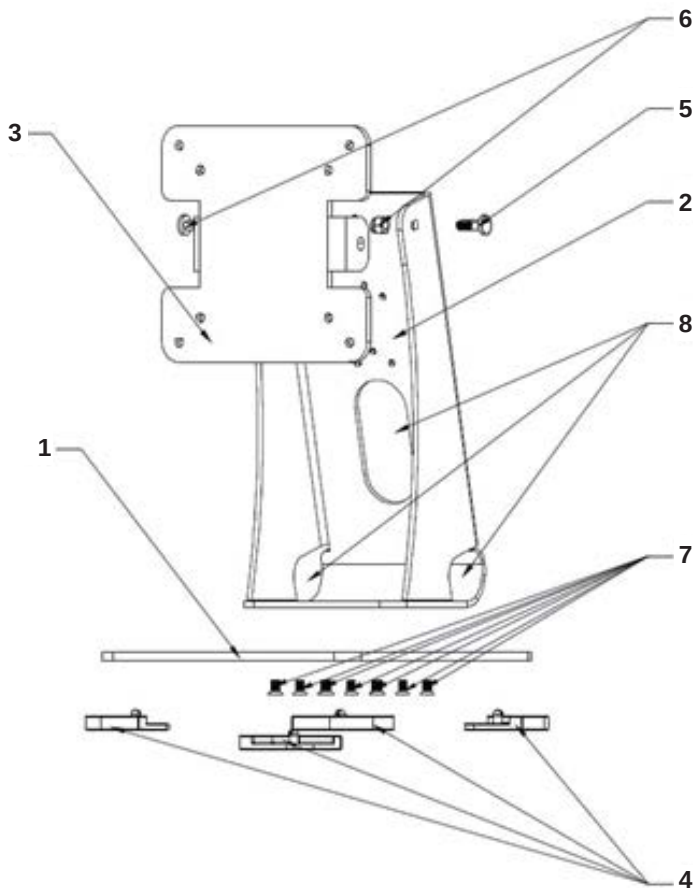
Product name	VESA 75/100 Metal Stand
Model No. / EAN No.	FTV100SF / 6920734093106

Range of Application
All faytech monitors and PCS of up to 21.5"

Included in the Delivery
Steel Base Plate
Assembled Metal Stand
4x M4*10mm screws for VESA 75/100
4x M6*10mm screws for VESA 100
4x M4*8mm screws for VESA 75
9x M4*6mm screws for steel base plate
Short Installation Manual

Operation / Mechanical	
Length of base (cm)	19.00
Width of base (cm)	15.00
Total height (cm)	25.00
Material	Complete stand (metal)
	Screws and bolts (stainless steel)
	Corner modules (rubber)

Metal Stand Components (see drawing)	
1.	4mm thick Steel base plate
2.	Fixation holes for faytech's 7 to 10" TM
3.	VESA 75/100 plate
4.	Rubber corner modules
5.	Fixation bolt for VESA plate
6.	Fixation bolt and nut for VESA plate
7.	Base to stand fixation nuts
8.	Holes for cable routing
9.	Base plate holes for rubber corners/fixation
10.	Thread hole for stand to base fixation



Corporate Headquarters

faytech AG
 Bischhäuser Aue 10
 37213 Witzenhausen
 Germany

support@faytech.com
contact@faytech.com
www.faytech.com

China: +86 755 8958 0612
 Germany: +49 5542 30374 10
 USA: +1 646 205 3214
 India: +91 11 49707436
 Japan: +070 4127 5167