

19" Resistive Touch PC

FT19N3350RES



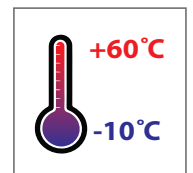
- Intel® Celeron® N3350 DualCore CPU
- 4GB RAM memory, 128GB Industrial SSD
- Supports Windows 10 & Linux (32Bit, 64Bit)
- Anti-glare front with 3H surface hardness
- 5-Wire Resistive touch technology
- High-quality black aluminum housing
- Standard and 3-Pin power connector (screwable)
- Integrated W-LAN
- 2 year guarantee



faytech's Resistive Touch PC series stands out among competition with its fanless silent operation and robust aluminum housing with stable VESA 100 fixation bolts.

The touch PC is powered by faytech's industrial Apollo Lake mainboard. It is driven by the Intel® Celeron® N3350 DualCore processor with up to 2.40 GHz clock frequency. This version is equipped with 4GByte RAM, 128G SSD and Intel's HD Graphic chipset, supporting Full HD, DirectX 11.1 and OpenGL 4.0.

These faytech PCs are the perfect choice for a wide variety of applications including POS systems, control panels in industrial fields, in kiosk systems, office/residence automation, digital signage and in areas like shopping malls, classrooms, hotels and many more.



Product name				19" Resistive Touch PC			
Model number / EAN number				FT19N3350RES / 6920734001910			
Global Article Code 20205002618	European Article Code 1010501617	Release date 01/05/2020	Version v1	Global Article Code	European Article Code	Release date	Version

IP Rating	
IP40 Front / IP40 Back	

LCD Panel	
Screen diagonal (Inch/cm)	19/48.26
Display active screen size (cm)	41.22×25.91
Aspect ratio	16:10
Physical resolution	1440×900
External Maximum showable resolution - HDMI, DP	1920×1200
Colours displayed	16.7M
Brightness (cd/m ²)	250
Contrast	1000:1
Typical reaction time Tr / Tf (ms)	1.5/3.5
Visual Angle horizontal / vertical (°)	170/160
Backlight / Backlight Lifetime (hours)	LED / 30,000

Operation / Mechanical	
Operating Temperature (°C)	-10 ~ +60
Humidity Range (RH)	10% - 90%
Net weight (kg)	4.75
Gross weight (kg)	7.10 (incl. cartonage)
Housing material	Aluminum
Housing (mm) L × W × H	468.0 × 314.0 × 62.9
Mounting	VESA 100

Internal Connectors (occupied)		
1x SO-DIMM, max. 8GB, DDR3L 1333/1600/1867 non-ECC Single channel memory		
3x RS232/RS485 COM connectors switchable in BIOS		
2x LCD Backlight control/LCD panel voltage box		
1x 5V/12V SATA power connector	1x 12V DC power connector (2-pin)	
1x 4-pin SATA power connector	1x S/PDIF output pin header	
1x 8-bit Digital I/O interface	1x Line-out / Mic-in header	
1x Front Panel box header	1x Serial ATA 6Gb/s	
1x MIPI CSI connector	1x LVDS box header	2x USB 3.0 box header

PC System	
CPU	Intel® Celeron® DualCore N3350
Graphic GPU	Intel® HD Graphics
Audio	Realtek ALC3236 Audio CODEC
Memory	4GB DDR3L non-ECC (max. 8GB)
Storage (switchable)	faytech Industrial 128GB SSD
Network	2x Realtek PCIe GB LAN 8111G (1x optional with POE); W-LAN
Driver Support	Win10; Linux; 32Bit/64Bit
Preinstalled OS	Linux Ubuntu

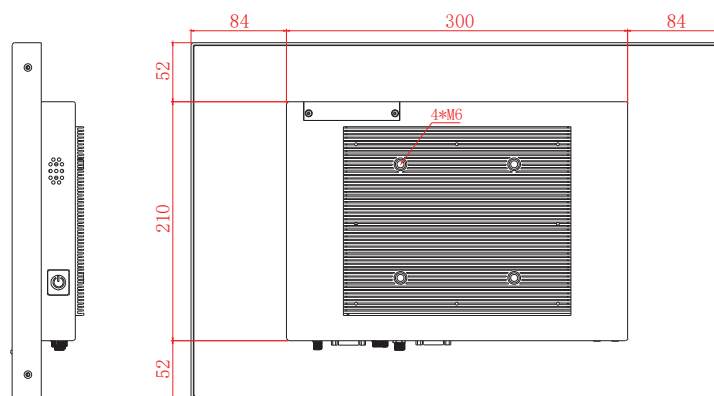
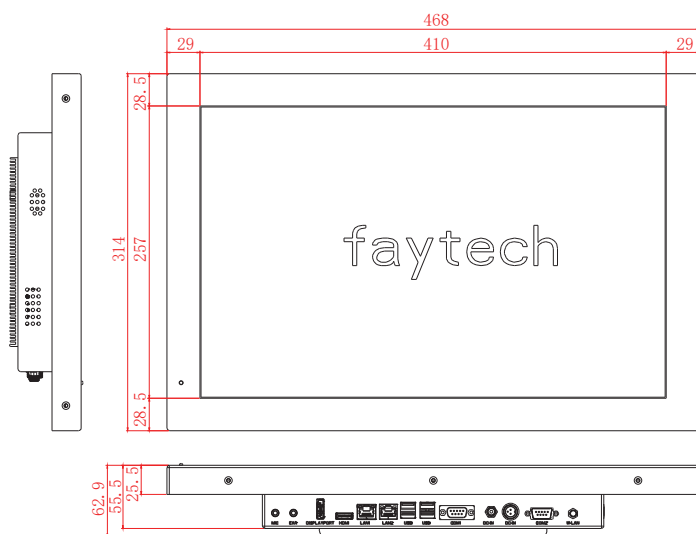
Touch Panel	
Touch Technology	5-Wire Resistive
Touch Connector	USB
Touch Life (Contacts)	10 million in 1 location without failure
Surface Hardness	3H
Surface Treatment	Anti-glare

Power	
Power Indicator	Green LED
Power Supply	100-240V ACDC active switching; 12V DC-Out
Working Power (V)	12
Power Consumption (W)	21
Stand-By Consumption (W)	<1

External Connectors	
1x 12V DC-In (screwable)	
1x 12V 3-Pin DC-In (screwable)	
1x W-LAN antenna connector (RP-SMA male)	
2x USB 3.0	2x USB 2.0
1x HDMI	1x DP
1x MIC-In & EAR-Out	
2x COM port Full-PIN - RS232/485; 5V/12V	
2x 10/100/1000Mbit RJ45 Ports	
1x 2.5" module slot, changeable SSD included	

Expansion Slots	
1x mSATA full size (occupied by SSD)	
1x M.2 E-Key Slot (occupied by Wifi card)	
1x SATA connector	
1x External PCIe x1 Straddle connector	

Included in the Delivery	
Power Supply (see Power section)	
W-LAN antenna (RP-SMA female)	
Short Installation Manual	



Tolerance: ± 0.8mm

Errata and technical modifications reserved

Corporate Headquarters

faytech AG
Bischhäuser Aue 10
37213 Witzenhausen
Germany

support@faytech.com
contact@faytech.com
www.faytech.com

China: +86 755 8958 0612
Germany: +49 5542 30374 10
USA: +1 646 205 3214
India: +91 11 49707436
Japan: +070 4127 5167