

10" Capacitive Touch Kit

FT10TKITCAPOB



- Touch Kit (front kit) solution for easy integration
- USB-Touch connection, LVDS Interface
- Anti-glare surface treatment (chemical etching)
- 10-Finger-Multi Touch Capacitive Touch Panel
- 1.1mm cover glass with 7H surface hardness
- Optically bonded Touch Panel to LCD Panel
- 2 year guarantee (24/7 usage)



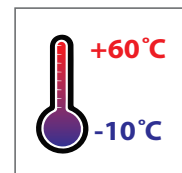
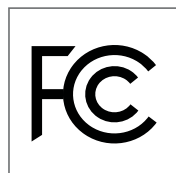
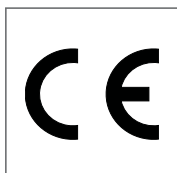
faytech's Capacitive Touch Kits are specifically designed to be integrated into any **machine**, **PC**, **kiosk**, **server** or any other similar application.

The front kit mainly consists of 2 parts optically bonded together:

- **LCD Panel**
- **Touch Panel** (incl. Touch Controller)

The touch kit is optically bonded, which will improve the stability, reduce the reflection, increase the viewing angle, and enhance the perceived brightness. It also provides resistance to dust particles and shows a better image in general.

Feel free to contact us for more use and information on the touch kits!



Product name			10" Capacitive Touch Kit		
Article code / EAN number			FT10TKITCAPOB / 6920734000029		
Global Article Code	European Article Code	Release date	Global Article Code	European Article Code	Release date
3030503693	1010501761	01/07/2020			

IP Rating	
IP40	

LCD Panel	
Screen diagonal (Inch/cm)	9.7/24.64
Display active screen size (cm)	19.7×14.7
Aspect ratio	4:3
Physical resolution	1024×768
Maximum showable resolution	1920×1080
Colours displayed	16.7M
Brightness (cd/m ²)	250
Contrast	800:1
Typical reaction time Tr/ Tf (ms)	10/15
Visual Angle horizontal/vertical (°)	170/170
Backlight / Backlight Lifetime (hours)	LED / 20,000

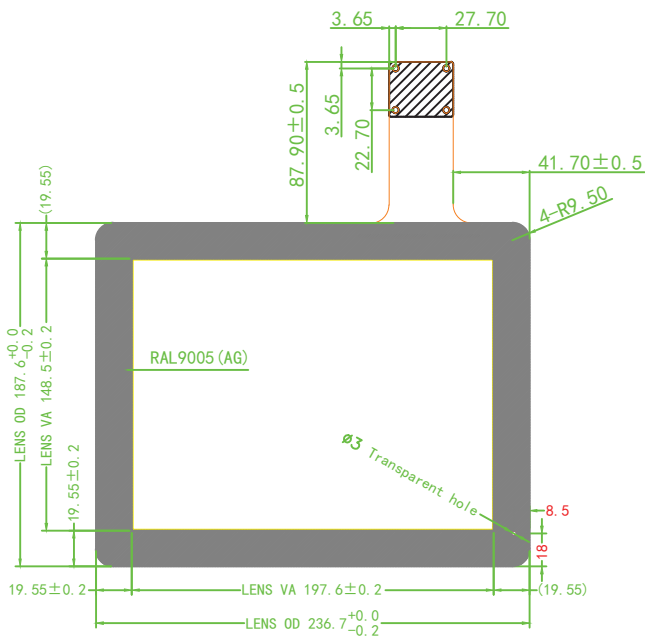
External Connectors	
Touch Connector	1x USB
LCD Panel Interface	1x LVDS

Touch Panel	
Touch Technology	Projected Capacitive 10-point Multitouch
Touch Panel Drivers	Windows; Linux; Mac; Android
Touch Life (Contacts)	Unlimited
Surface Hardness	7H
Surface Treatment	Anti-glare (chemical etching)
Glass Strengthening	Chemically Strengthened

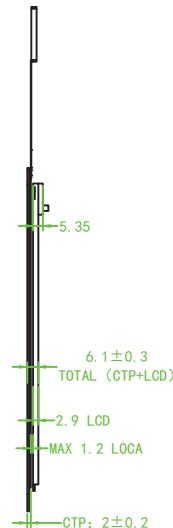
Operation / Mechanical	
Operating Temperature (°C)	-10 ~ +60
Humidity Range (RH)	10% - 90%
Net weight (kg)	0.25
Gross weight (kg)	0.55 (incl. cartonage)
Housing material	None
Housing (mm) L x W x H	236.7 × 187.6 × 6.1

Power	
Working Power (V)	12
Power Consumption (W)	4
Stand-By Consumption (W)	<1

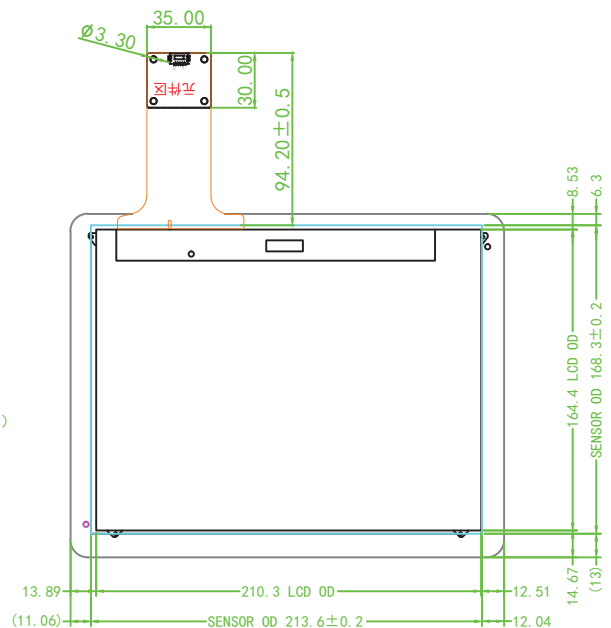
Included in the Delivery	
USB Cable	
LVDS Cable	



FRONT VIEW



SIDE VIEW



BACK VIEW

Technical parameters:

1. The bonding direction is shown in the figure above
2. The thickness of the bonding glue layer is 1.20 mm (maximum)
3. Bonding method: Optical Bonding
4. The unspecified tolerance is ± 0.20 mm

Corporate Headquarters

faytech AG
 Bischhäuser Aue 10
 37213 Witzenhausen
 Germany

support@faytech.com
contact@faytech.com
www.faytech.com

China: +86 755 8958 0612
 Germany: +49 5542 30374 10
 USA: +1 646 205 3214
 India: +91 11 49707436
 Japan: +070 4127 5167