

21.5" Capacitive Touch Kit

FT215TKITCAPOB



- Touch Kit (front kit) solution for easy integration
- USB-Touch connection, LVDS Interface
- Anti-glare surface treatment (chemical etching)
- 10-Finger-Multi Touch Capacitive Touch Panel
- 1.1mm cover glass with 7H surface hardness
- Optically bonded Touch Panel to LCD Panel
- 2 year guarantee (24/7 usage)

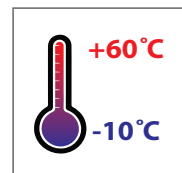
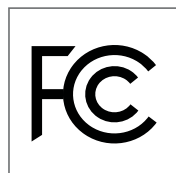
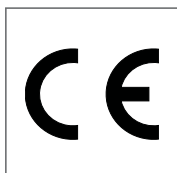
faytech's Capacitive Touch Kits are specifically designed to be integrated into any **machine**, **PC**, **kiosk**, **server** or any other similar application.

The front kit mainly consists of 2 parts optically bonded together:

- **LCD Panel**
- **Touch Panel** (incl. Touch Controller)

The touch kit is optically bonded, which will improve the stability, reduce the reflection, increase the viewing angle, and enhance the perceived brightness. It also provides resistance to dust particles and shows a better image in general.

Feel free to contact us for more use and information on the touch kits!



Product name		21.5" Capacitive Touch Kit			
Article code / EAN number		FT215TKITCAPOB / 6920734000104			
Global Article Code	European Article Code	Release date	Global Article Code	European Article Code	Release date
3030503701	1010501769	01/07/2020			

IP Rating	
IP40	

LCD Panel	
Screen diagonal (Inch/cm)	21.5/54.69
Display active screen size (cm)	47.70×26.80
Aspect ratio	16:9
Physical resolution	1920×1080
Maximum showable resolution	1920×1200
Colours displayed	16.7M
Brightness (cd/m ²)	250
Contrast	1000:1
Typical reaction time Tr/ Tf (ms)	13/5
Visual Angle horizontal/vertical (°)	178/178
Backlight / Backlight Lifetime (hours)	LED / 40,000

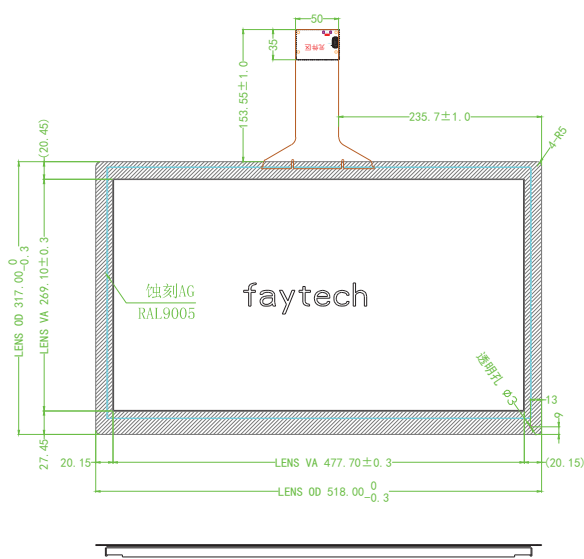
External Connectors	
Touch Connector	1x USB
LCD Panel Interface	1x LVDS

Touch Panel	
Touch Technology	Projected Capacitive 10-point Multitouch
Touch Panel Drivers	Windows; Linux; Mac; Android
Touch Life (Contacts)	Unlimited
Surface Hardness	7H
Surface Treatment	Anti-glare (chemical etching)
Glass Strengthening	Chemically Strengthened

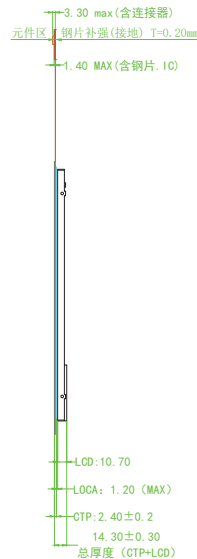
Operation / Mechanical	
Operating Temperature (°C)	-10 ~ +60
Humidity Range (RH)	10% - 90%
Net weight (kg)	1.10
Gross weight (kg)	1.40 (incl. cartorage)
Housing material	None
Housing (mm) L × W × H	518.0 × 317.0 × 14.3

Power	
Working Power (V)	12
Power Consumption (W)	12
Stand-By Consumption (W)	<1

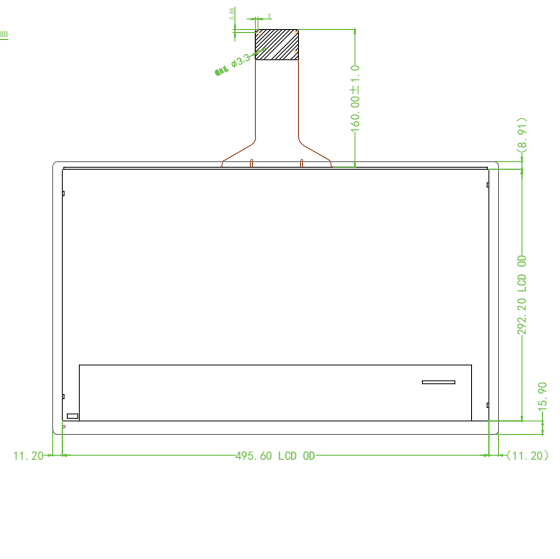
Included in the Delivery	
USB Cable	
LVDS Cable	



FRONT VIEW



SIDE VIEW



BACK VIEW

Technical parameters:

1. The bonding direction is shown in the figure above
2. The thickness of the bonding glue layer is 1.20 mm (maximum)
3. Bonding method: Optical Bonding
4. The unspecified tolerance is ± 0.30 mm

Corporate Headquarters

faytech AG

Bischhäuser Aue 10
37213 Witzenhausen
Germany

support@faytech.com

contact@faytech.com

www.faytech.com

China: +86 755 8958 0612
Germany: +49 5542 30374 10
USA: +1 646 205 3214
India: +91 11 49707436
Japan: +070 4127 5167