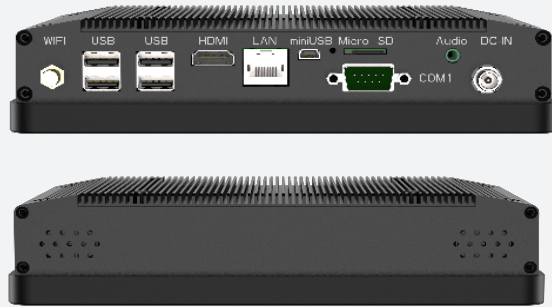


FT07A311DPRCAPOB

v1: GL: 3030516258 | EU: 4010077713



Pictures show sample configurations, real product may vary.

## DISPLAY

Display Size [inch]	7.0
Aspect Ratio	16 : 9
Resolution	1024 × 600
Active Area [mm]	154.21 × 85.92
Brightness [cd/m²]	500
Contrast Ratio	800 : 1
LED life time [h]	20000
Viewing Angle [°]	160 / 130
Display Interface	LVDS

## TOUCH PANEL

Touch Type	Projected Capacitive 10-point Multi-touch
Printing Type	Organic
Glass Thickness [mm]	1.1
Cover Glass Surface Treatment	AG
IK Protection	IK7
Printing Color	RAL9004 (Black)
Strengthening	Thermally Strengthened
Touch Controller	EXC81W60
Touch Interface	USB
Touch Resolution RX	28
Touch Resolution TX	16
Optical Bonding	Clear Bond®

## PC/MONITOR SYSTEM

Processor	Amlogic A311D
Chipset	Quad-Core Cortex-A73 + Dual-core Cortex-A53
Standard Operating System	Android 9
OS Available on Request (additional fee)	Linux Ubuntu 22.4, Debian 12 *
RAM Size	4 GB LPDDR4
EMMC Size	64 GB eMMC 5.1
GPU	Mali G52 MP4
NPU	5.0Tops
Loudspeaker	2× 2W
Wifi + BT	RTL8821 + Bluetooth 4.0
HDMI	1
SD Card Slot	1
Audio In / Out	1 (MAX98090 audio chip)
USB 2.0	4
USB OTG	1
Ethernet Network (10/100/1000 Mbit/s)	1
Serial Port RS232 (RX / TX only)	1

## ENVIRONMENTAL CONDITIONS

Operation Temperature	-10°C to 60°C
Storage Temperature	-20°C to 60°C
Humidity Range	10% to 90%

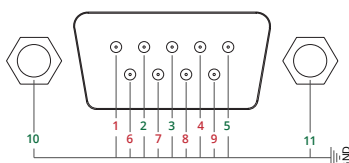
## CERTIFICATIONS

CE Certificate	Yes
FCC Certificate	Yes

## CHASSIS

Case Design	Rubber Frame Sealing
Case Size	Small
IP Protection	IP65 Front / IP40 Back
Case Color	RAL9004 (Black)
Case Coating	Powder Coating
Case Material	Aluminum
Case size L × W × H [mm]	195.6 × 137.6 × 43.2
Cut-out for clamp supports L × H [mm]	N/A
Max. wall thickness for clamp supports [mm]	N/A
Amount of clamps required	N/A
Mounting	VESA 100 × 100

## SERIAL (RS232) PIN DEFINITION



2	RXD1
3	TXD1
5	GND
10	GND
11	GND

\* Pyramid Computer GmbH is not affiliated with Debian. Debian is a registered trademark owned by Software in the Public Interest, Inc. Debian 12 OS does not require additional fee.

## ACCESSORIES

Power Adapter	100-240V ACDC active switching; 12V DC-Out
Wifi Antenna	RP-SMA female
Short Instruction Manual	Yes
Power over Ethernet (PoE)	No, available upon request

## INTENDED USE/APPLICATION

The device is to be used as (touchscreen) display for indoor use as control panel, digital signage, way-finding, POS and similar applications.

Direct sunlight might increase the device temperature beyond the allowed storage and operation conditions. Therefore the devices must be protected against direct sunlight. Devices operated or stored outside the specified temperature ranges are not covered by warranty.

## POWER

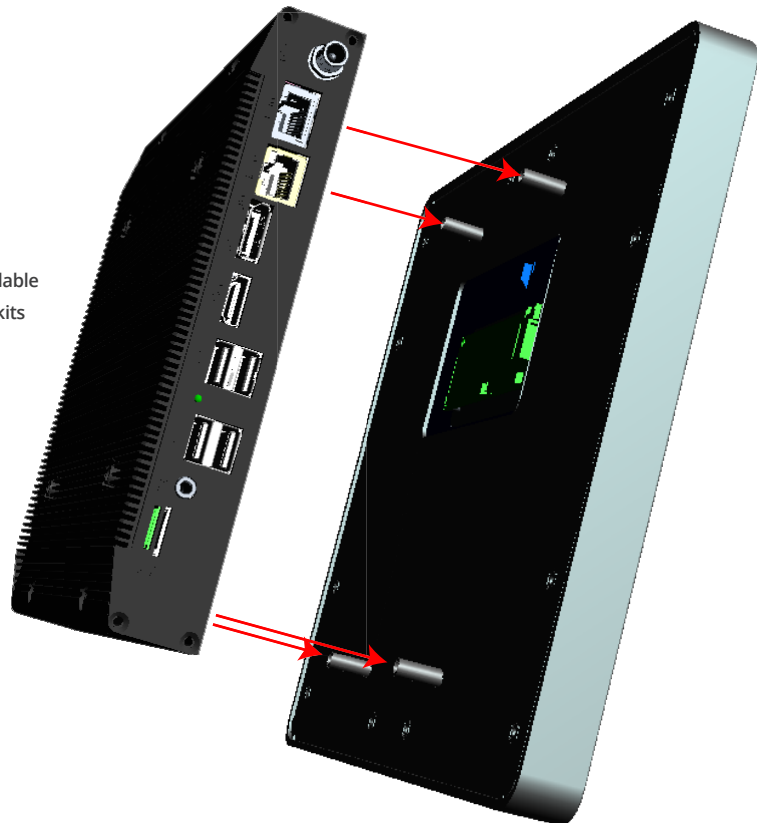
Power Indicator	Green LED
Working Power	12V
Power Consumption	8.3W
Stand-By Consumption [Android / Ubuntu]	<1W / <3W

## WEIGHT & PACKAGING

Net Weight	~1.70 kg est.
Gross Weight	~2.00 kg est. (incl. Cartonage)
Packaging Material	100% recyclable cardboard and polyethylene (PE)
Packaging Size L x W x H [mm]	355.0 x 280.0 x 80.0

### Front kit & Back kit concept:

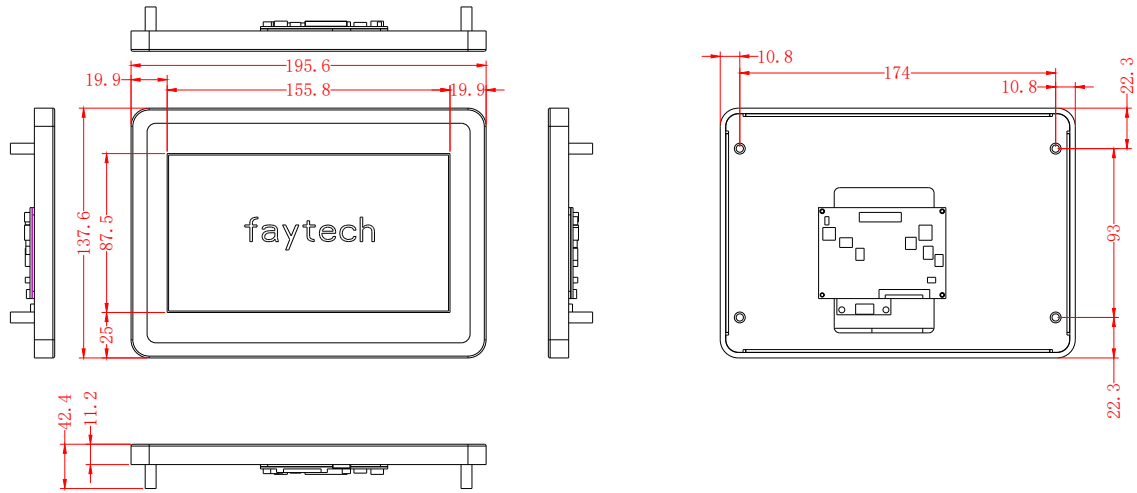
- Pre-assembled or separately packaged available
- Easily replace or switch back kits and front kits
- Connected through various connectors
- Assembly to be done by a professional



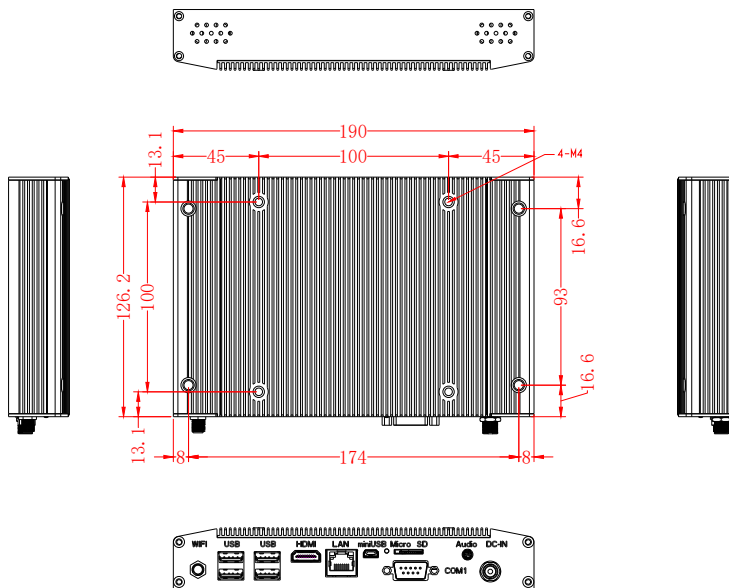
## DIMENSIONS

Pictures show sample configurations, real product may vary.

### 7" RUBBER FRAME FRONT KIT



### SMALL IPC BACK KIT PREMIUM (A311D)



## UPDATE NOTES:

Version: \_\_\_\_\_ Changes: \_\_\_\_\_  
 v1 \_\_\_\_\_ First version \_\_\_\_\_