

FT101TMCAPOB

v4: GL: 3030516086 | EU: 4010077703

Previous versions: v3: GL: 3030509593 | EU: 1010502307

v2: GL: 3030504405 | EU: 1010501876

v1: GL: 3030502602 | EU: 1010501654



Pictures show sample configurations, real product may vary.

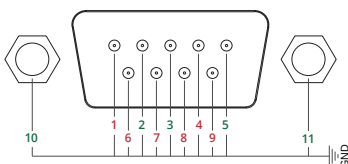
## DISPLAY

Display Size [inch]	10.1
Aspect Ratio	16 : 10
Resolution	1280 × 800
Active Area [mm]	216.96 × 135.60
Brightness [cd/m <sup>2</sup> ]	350
Contrast Ratio	800 : 1
LED life time [h]	30000
Viewing Angle [°]	170 / 170
Display Interface	LVDS

## PC/MONITOR SYSTEM

Monitor Controller	Realtek® RTD2556T
Monitor Firmware	Standard
Loudspeaker	2× 2W
HDMI	1
DP	1
VGA	1
Audio In	1
USB-B (touch)	1
Serial Port RS232 (RX / TX only)	1
OSD Buttons	Power On/Off, Decrease Brightness/Left/Down, Increase Brightness/Right/Up, Menu/Enter, Input Selection
Adjustable Features	Brightness, Contrast, Screen Setting, Color Temp, Color Effect, Language, Reset, Auto Adjust (see instruction manual for full details)

## SERIAL (RS232) PIN DEFINITION



2	RXD1
3	TXD1
5	GND
10	GND
11	GND

## TOUCH PANEL

Touch Type	Projected Capacitive 10-point Multi-touch
Printing Type	Organic
Glass Thickness [mm]	1.1
Cover Glass Surface Treatment	AG
IK Protection	IK7
Printing Color	RAL9004 (Black)
Strengthening	Thermally Strengthened
Touch Controller	EXC81W60
Touch Interface	USB
Touch Resolution RX	39
Touch Resolution TX	24
Optical Bonding	Clear Bond®

## ENVIRONMENTAL CONDITIONS

Operation Temperature	-10°C to 60°C
Storage Temperature	-20°C to 60°C
Humidity Range	10% to 90%

## CERTIFICATIONS

CE Certificate	Yes
FCC Certificate	Yes

## CHASSIS

Case Design	Rubber Frame Sealing
Case Size	Small
IP Protection	IP65 Front / IP40 Back
Case Color	RAL9004 (Black)
Case Coating	Powder Coating
Case Material	Aluminum
Case size L × W × H [mm]	278.0 × 203.6 × 43.3
Cut-out for clamp supports L × H [mm]	264.0 × 196.0
Max. wall thickness for clamp supports [mm]	5.0
Amount of clamps required	4
Mounting	VESA 100 × 100

\* Pyramid Computer GmbH is not affiliated with Debian. Debian is a registered trademark owned by Software in the Public Interest, Inc.

## ACCESSORIES

Power Adapter	100-240V ACDC active switching; 12V DC-Out
USB-Touch Cable	Yes
Short Instruction manual	Yes

## INTENDED USE/APPLICATION

The device is to be used as (touchscreen) display for indoor use as control panel, digital signage, way-finding, POS and similar applications.

Direct sunlight might increase the device temperature beyond the allowed storage and operation conditions. Therefore the devices must be protected against direct sunlight. Devices operated or stored outside the specified temperature ranges are not covered by warranty.

## POWER

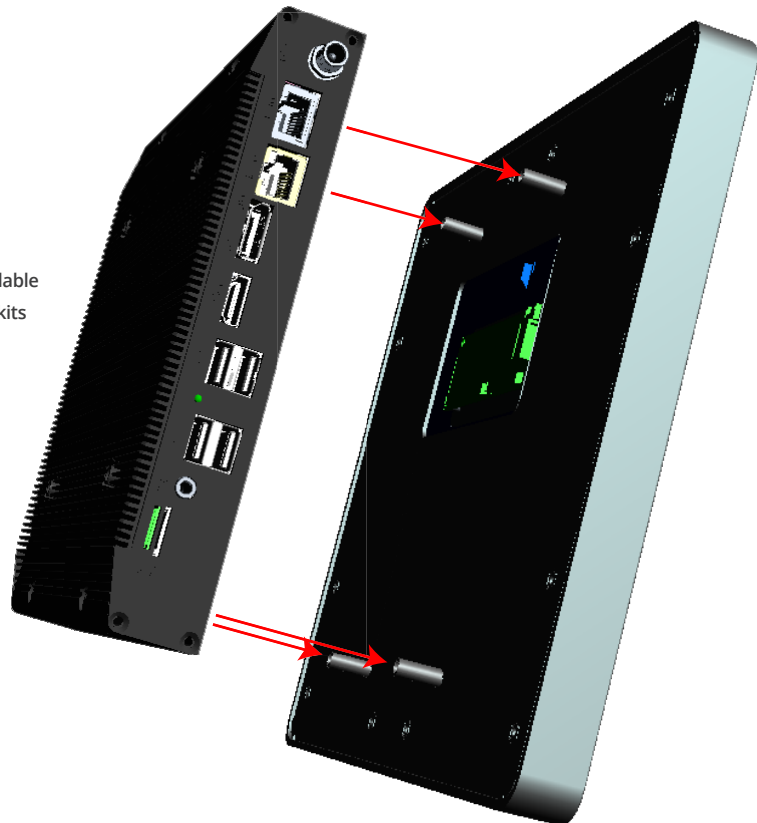
Power Indicator	Green LED
Working Power	12V
Power Consumption	8W
Stand-By Consumption	<1W

## WEIGHT & PACKAGING

Net Weight	~2.00 kg est.
Gross Weight	~3.10 kg est. (incl. Cartonage)
Packaging Material	100% recyclable cardboard and polyethylene (PE)
Packaging Size L x W x H [mm]	433.0 x 290.0 x 80.0

### Front kit & Back kit concept:

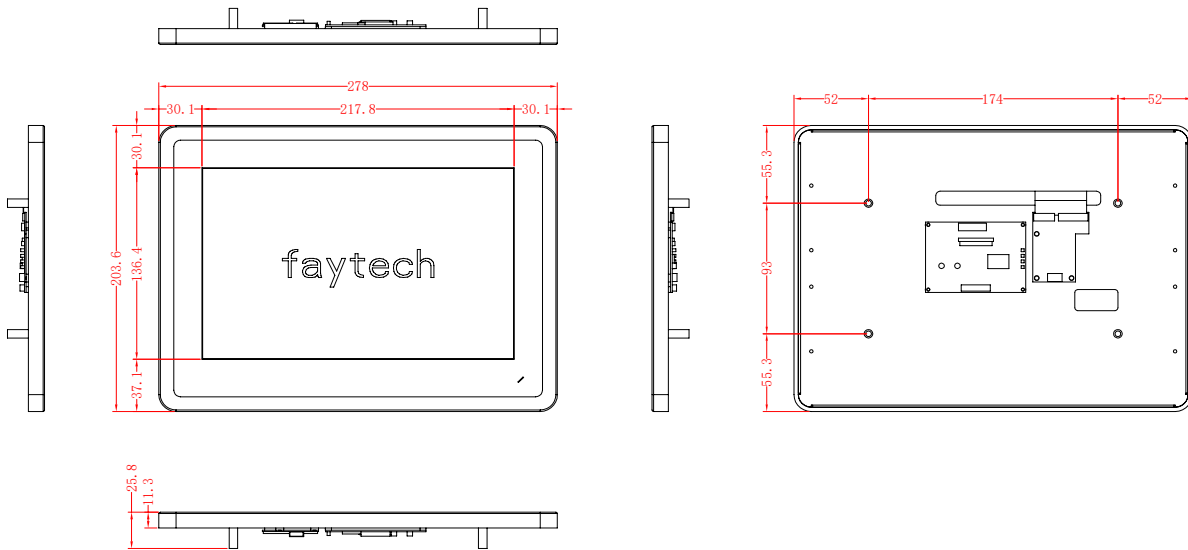
- Pre-assembled or separately packaged available
- Easily replace or switch back kits and front-kits
- Connected through various connectors
- Assembly to be done by a professional



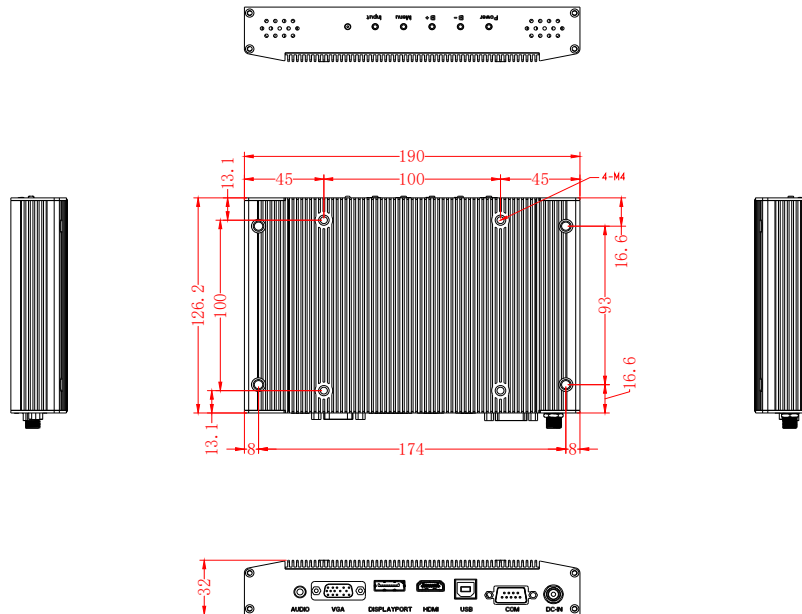
## DIMENSIONS

Pictures show sample configurations, real product may vary.

### 10.1" RUBBER FRAME FRONT KIT



### SMALL MONITOR BACK KIT (RTD2566)



## UPDATE NOTES:

### Version:

v4 (current version)

### Changes:

Implemented modular front and back kit concept

Changed ABS plastic back kit to Aluminum back kit

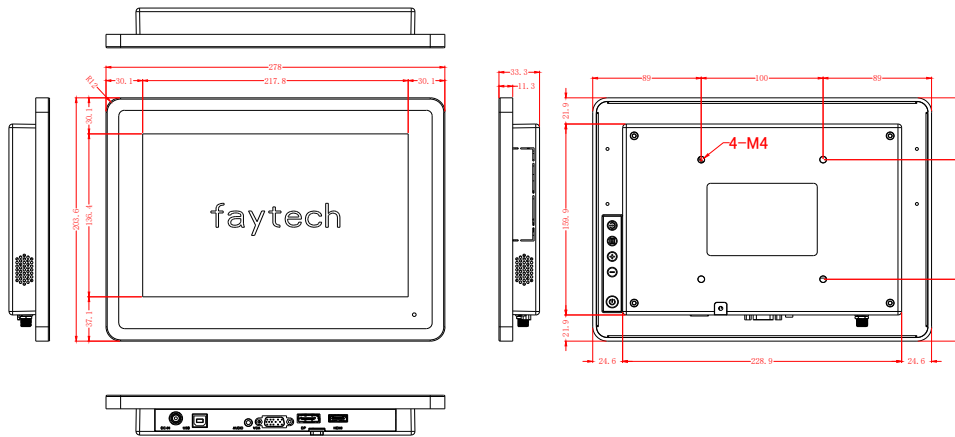
Changed button location and lay-out

## UPDATE NOTES:

Pictures show sample configurations, real product may vary.

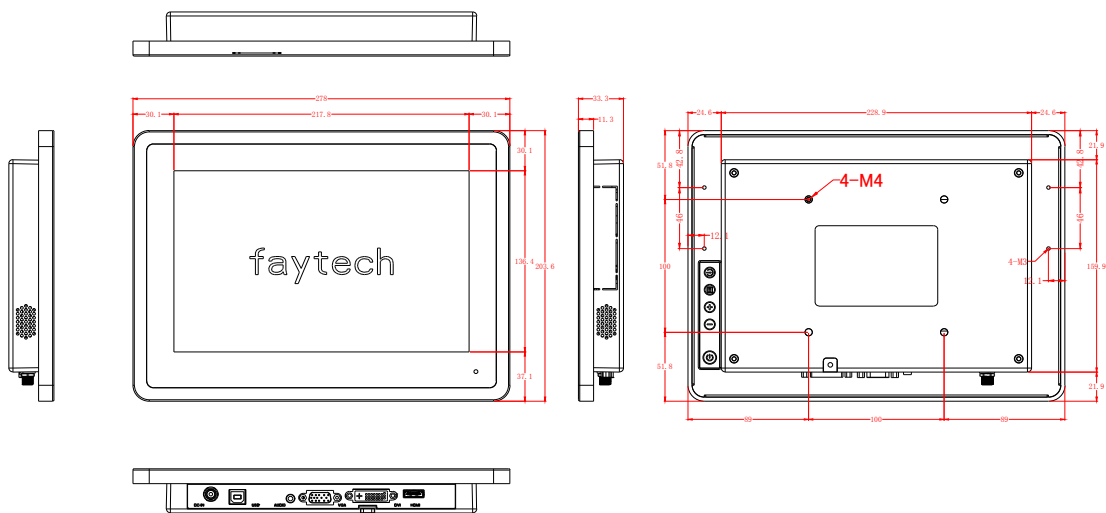
Version: **v3** Changes: Switching of the DVI-D connector to a DP connector

v3: GL: 3030509593 | EU: 1010502307



Version: **v2** Changes: Added screwholes for the clamp support mounting option

v2: GL: 3030504405 | EU: 1010501876



Version: **v1** Changes: First version

v1: GL: 3030502602 | EU: 1010501654

