

FT43AKRK3568HBOB

v1: GL: 3030519245 | EU: TBD



Without Battery



With Battery



Pictures show sample configurations, real product may vary.

DISPLAY

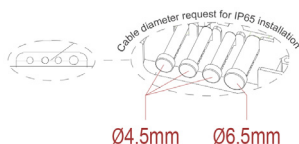
Display Size [inch]	43.0
Aspect Ratio	16 : 9
Resolution	1920 × 1080
Active Area [mm]	529.42 × 941.20
Brightness [cd/m ²]	1000
Contrast Ratio	1100 : 1
LED life time [h]	50,000
Viewing Angle [°]	178 / 178
Display Interface	LVDS

PC/MONITOR SYSTEM

Processor	Rockchip RK3568
Chipset	Quad-Core Cortex A-55
Standard Operating System	Android 11
RAM Size	2 GB LPDDR4
EMMC Size	32 GB eMMC
GPU	Mali G52
NPU	1.0Tops
Loudspeaker	8× 5W
Wifi + BT	2.4GHz, 5.0GHz + Bluetooth
EXTERNAL - USB (IP65 connector)	1
EXTERNAL - 24V DC-in (4-pin IP65 connector)	1
INTERNAL - HDMI Out	1
INTERNAL - USB 3.0/OTG	1
INTERNAL - USB 2.0	1
INTERNAL - RJ45 LAN (10/100/1000 Mbit/s)	1
INTERNAL - Audio Out	1
INTERNAL - Sim Card Slot	1
INTERNAL - TF Card Slot	1

IP65 SEALING

Above INTERNAL connectors are sealed behind the back protection plate, with unique IP65 sealing for standard cables.



GLASS PANEL

Touch Type	None
Printing Type	Ceramic
Overall Glass Thickness [mm]	2.0 (AG) + 3.2 (UV/IR)
Cover Glass Surface Treatment	AG + UV/IR
IK Protection	IK08
Printing Color	RAL9004 (Black)
Strengthening	Thermally Strengthened
Optical Bonding	Clear Bond®

ENVIRONMENTAL CONDITIONS

Operation Temperature	-10°C to 60°C
Storage Temperature	-20°C to 60°C
Humidity Range	10% to 90%

CERTIFICATIONS

CE Compliant	Yes
FCC Compliant	Yes

CHASSIS

Case Design	Aluminum
IP Protection	Complete IP65
Case Color	RAL9004 (Black)
Case Coating	Powder Coating
Case Material	Aluminum & Metal
Case size L × W × H [mm]	1470.8 × 679.0 × 118.0
Mounting	Stable Base stand with wheels on the back

BATTERY (OPTIONAL)

Battery Type	Lithium-ion Batteries
Battery Information	100Ah / 12.8V / ...Wh
Working time (w/o charging)	... hours
Time to fully charge	... hours
Additional weight	~11.0 kg

ACCESSORIES

Power Adapter	100-240V ACDC active switching; 24V DC-Out
USB Cable (2m)	No, optional
Battery Pack	No, optional
Short Instruction manual	Yes

POWER

Power Indicator	Green LED
Working Power	24V
Power Consumption	~95W
Stand-By Consumption	<1W

INTENDED USE/APPLICATION

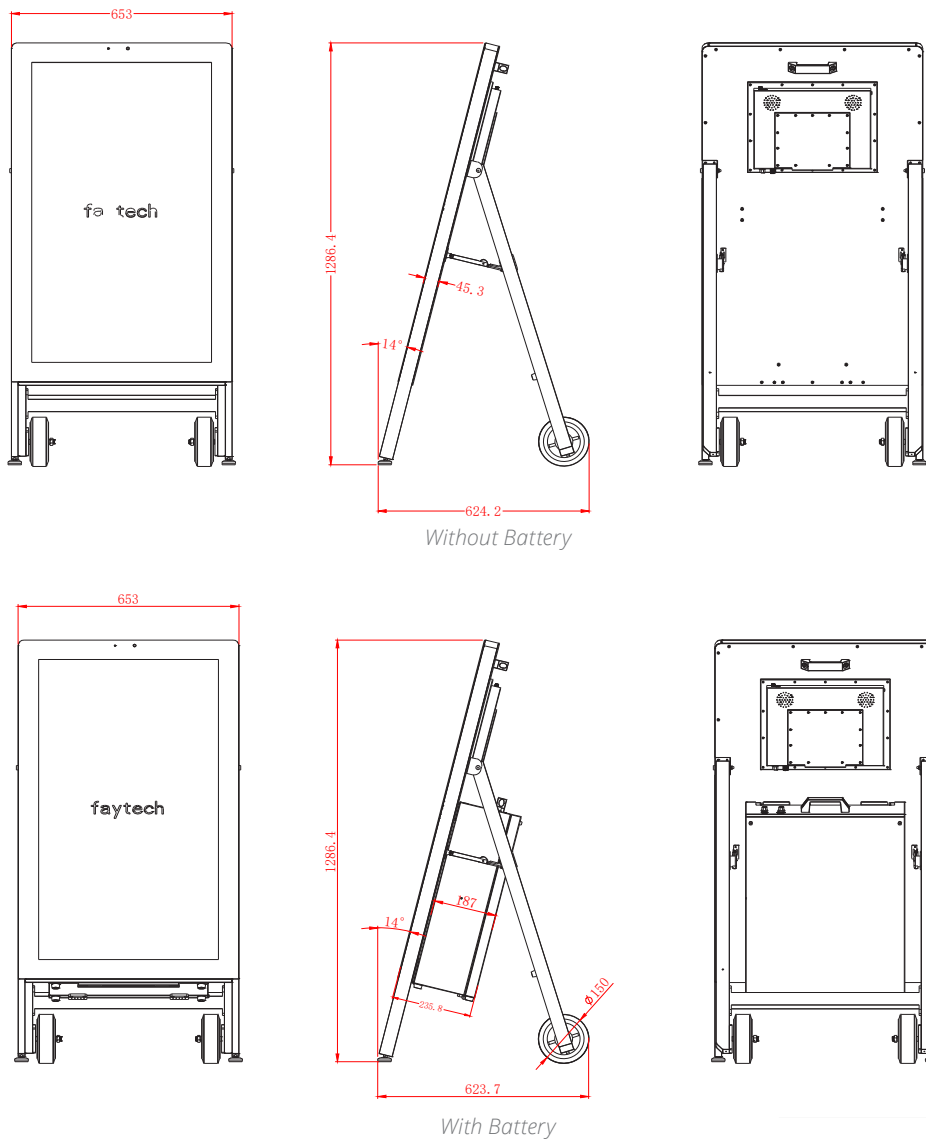
The device is to be used as kiosk for indoor and outdoor use as digital signage, way-finding and similar applications.

Direct sunlight might increase the device temperature beyond the allowed storage and operation conditions. Therefore the devices must be protected against direct sunlight. Devices operated or stored outside the specified temperature ranges are not covered by warranty.

WEIGHT & PACKAGING

Net Weight (no battery)	~75.00 kg est.
Net Weight (with battery)	~86.00 kg est.
Gross Weight (no battery)	~88.00 kg est. (incl. Cartonage)
Gross Weight (with battery)	~99.00 kg est. (incl. Cartonage)
Packaging Material	100% recyclable wooden crate
Packaging Size L x W x H [mm]	1650.0 x 800.0 x 450.0

DIMENSIONS



UPDATE NOTES:

Version:	Changes:
v1	First version